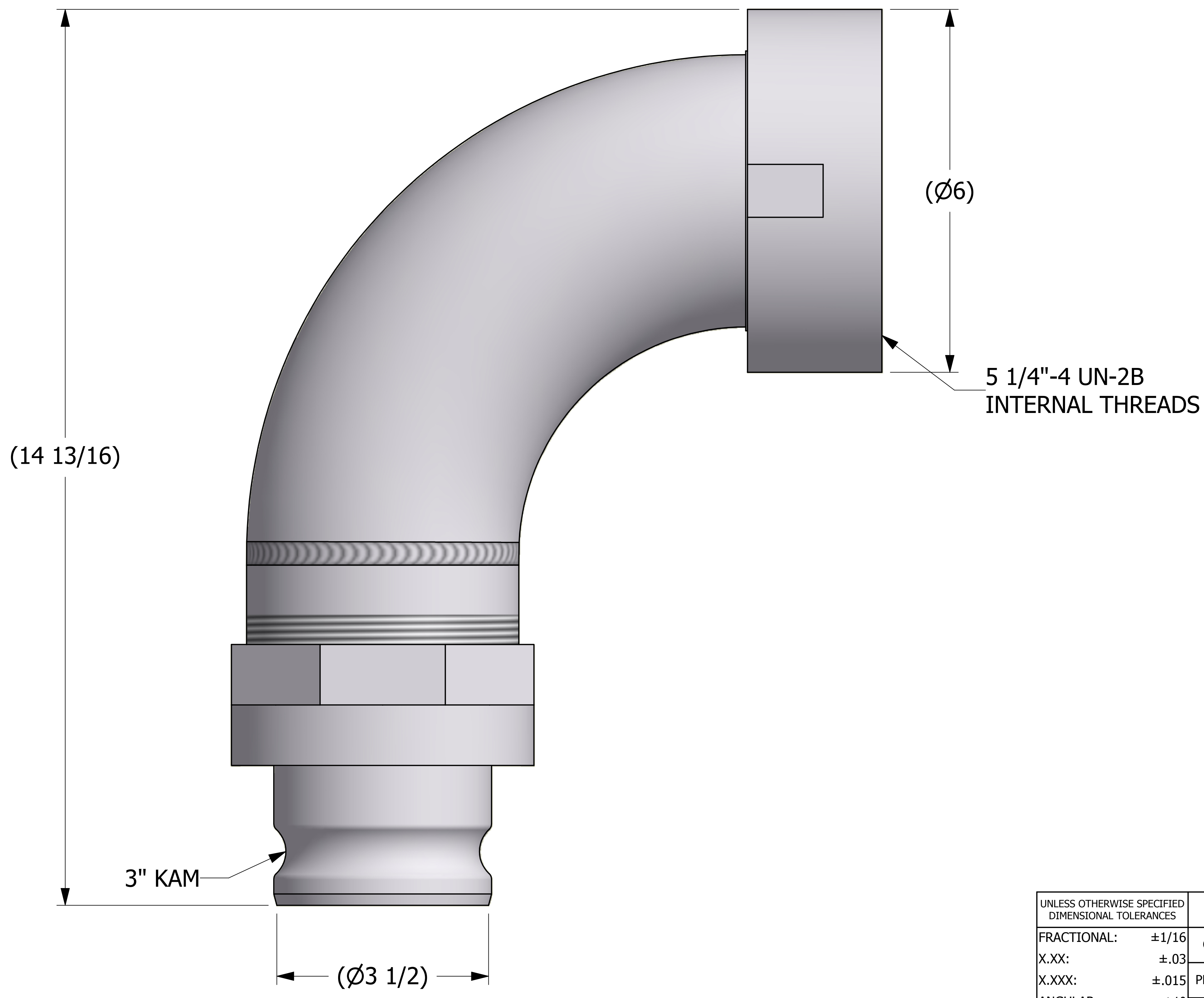


SALES DRAWING SALES DRAWING

SALES DRAWING SALES DRAWING



UNLESS OTHERWISE SPECIFIED DIMENSIONAL TOLERANCES	
FRACTIONAL:	$\pm 1/16$
X.XX:	$\pm .03$
X.XXX:	$\pm .015$
ANGULAR:	$\pm 1^\circ$
THIS PRINT, PROPERTY OF SALCO PRODUCTS INC, CONTAINS PROPRIETARY INFORMATION AND MUST NOT BE COPIED, REPRODUCED, OR USED DETRIMENTALLY TO OUR INTEREST.	
THIRD ANGLE PROJECTION	

DRAWN BY:	ACC
CHECKED BY:	SAB
PROTOTYPE BY:	ACC
PROTOTYPE DATE:	11/28/2000
APPROVED FOR PRODUCTION BY:	ACC
PRODUCTION DATE:	11/28/2000

A	CHL	4-5-07	REPLACED PARTS IN BOM
REV	BY	DATE	DESCRIPTION
			SALCO PRODUCTS, INC.
PART NAME: UNLOADING ELBOW 4"X3" 90°			
MATERIAL: SEE BOM			
PROJECT #:		SHEET #:	SCALE:
		1 OF 1	1:1
DRAWING #:	PART #:		
D15238	U43A9FM1502		